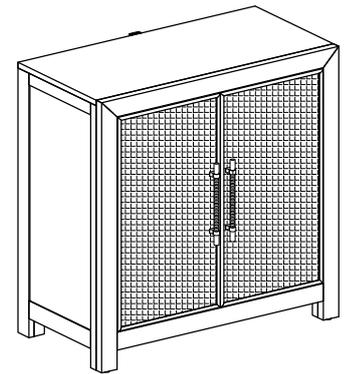


Warning :

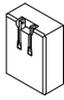
- Be sure to check all packing material carefully for small parts, which may have come loose inside the carton during shipment.
- To prevent possible scratches and damage, this furniture must be assembled on a soft surface such as a blanket or carpet.

Important Use Information: We recommend using coasters, placemats and trivets when placing hot or cold containers on this item. It is also recommended to quickly cleanup any spills to minimize exposure to moisture. Doing so will prolong the life and look of the item for many years.

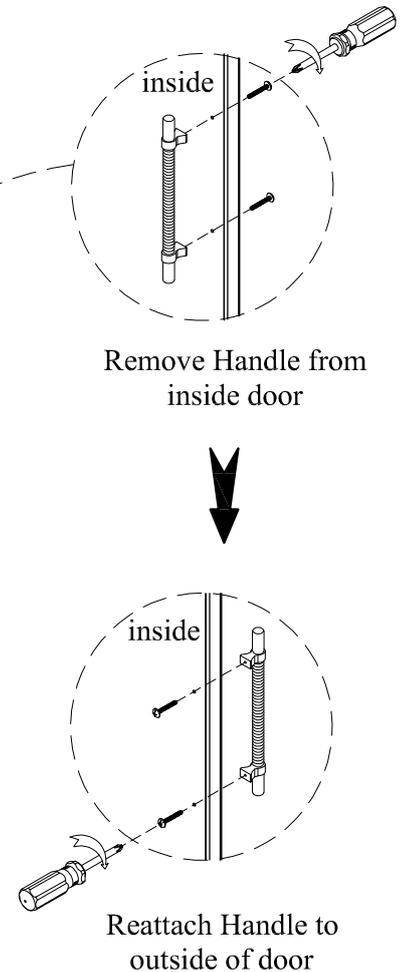
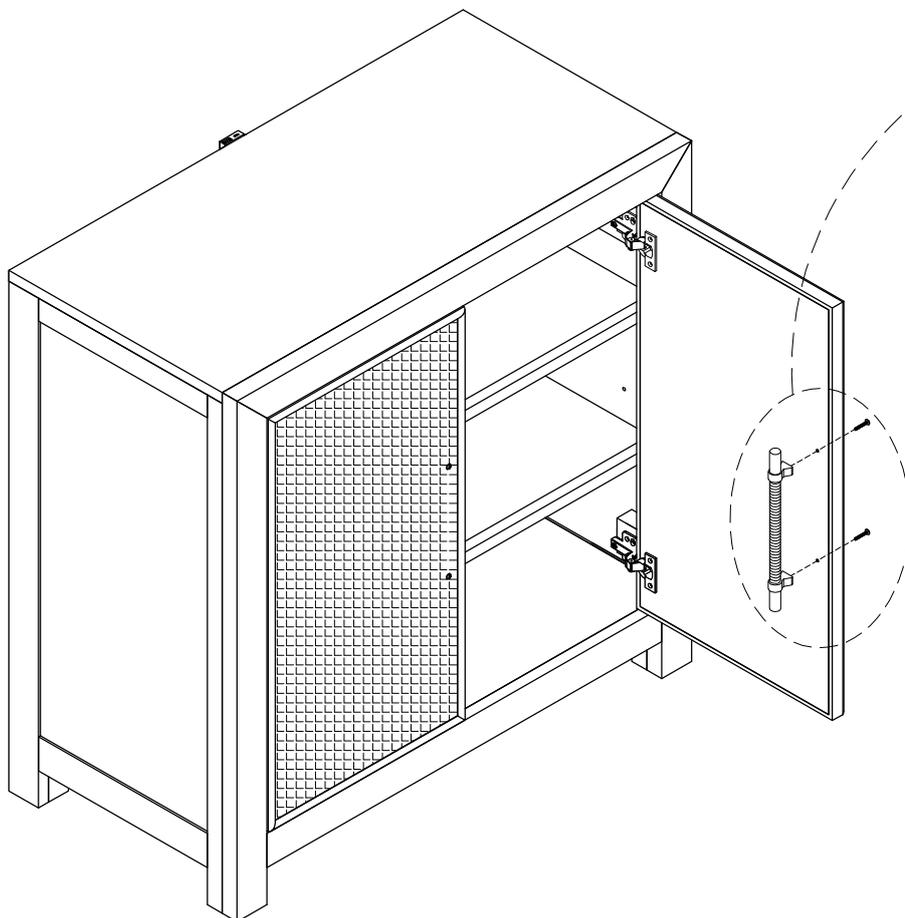


30764
Accent Door Chest

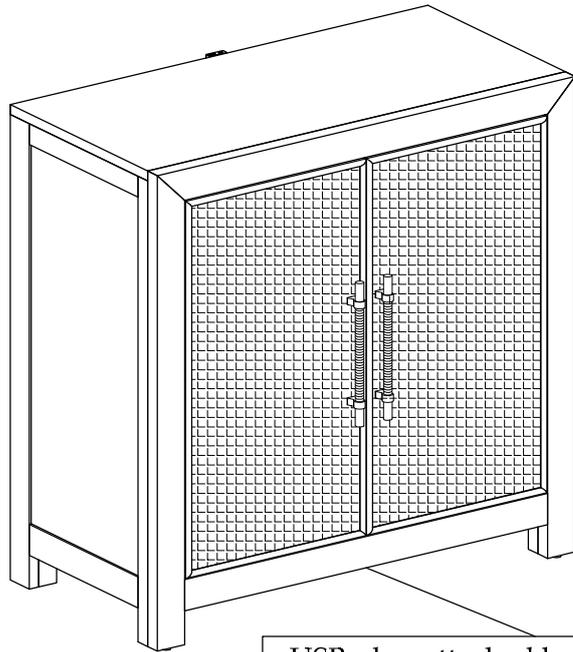
Components and Hardware List

<p>USB Adapter</p>  <p>(A) 1 pc.</p>	<p>Furniture Tipping Restraint Kit</p>  <p>(B) 1 pc.</p>	<p>Tool Required (not provided) Phillips Screwdriver</p> 
---	---	--

STEP 1:

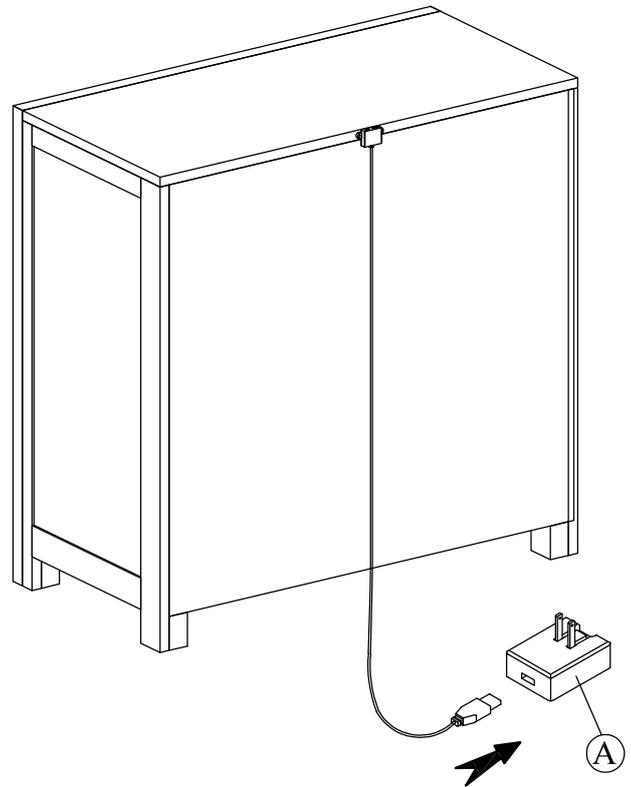


STEP 2:



- USB plug attached bottom of the Chest
- Plug it into the USB to use

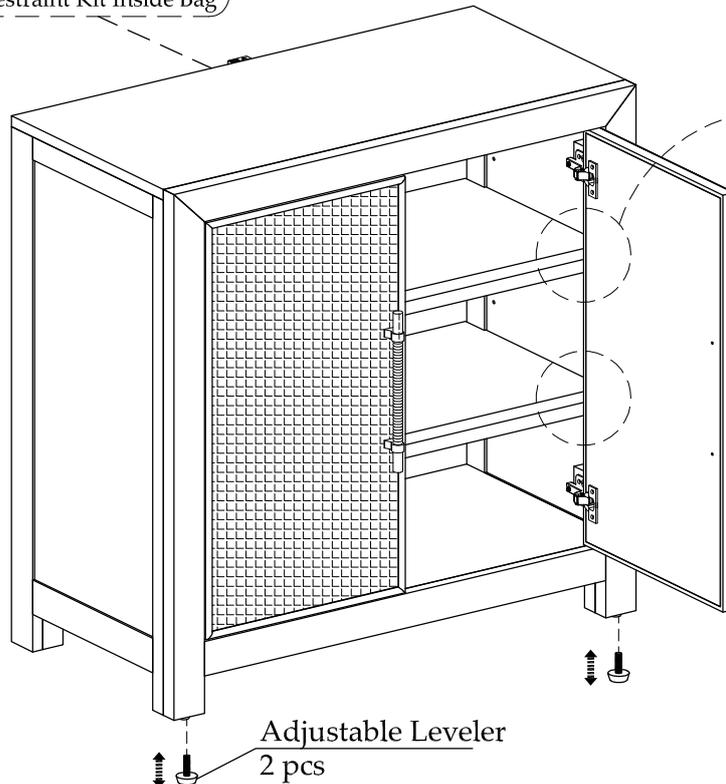
STEP 3:



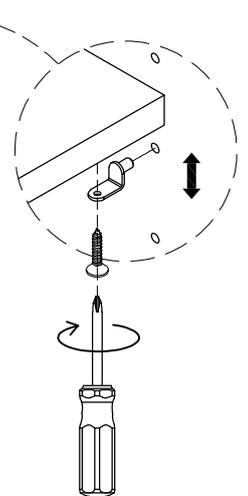
STEP 4:



Furniture Tipping
Restraint Kit Inside Bag



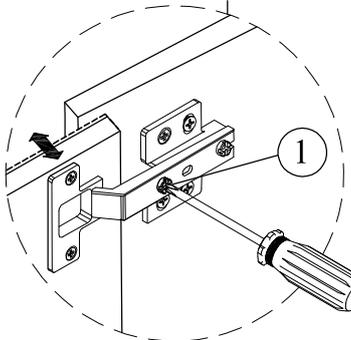
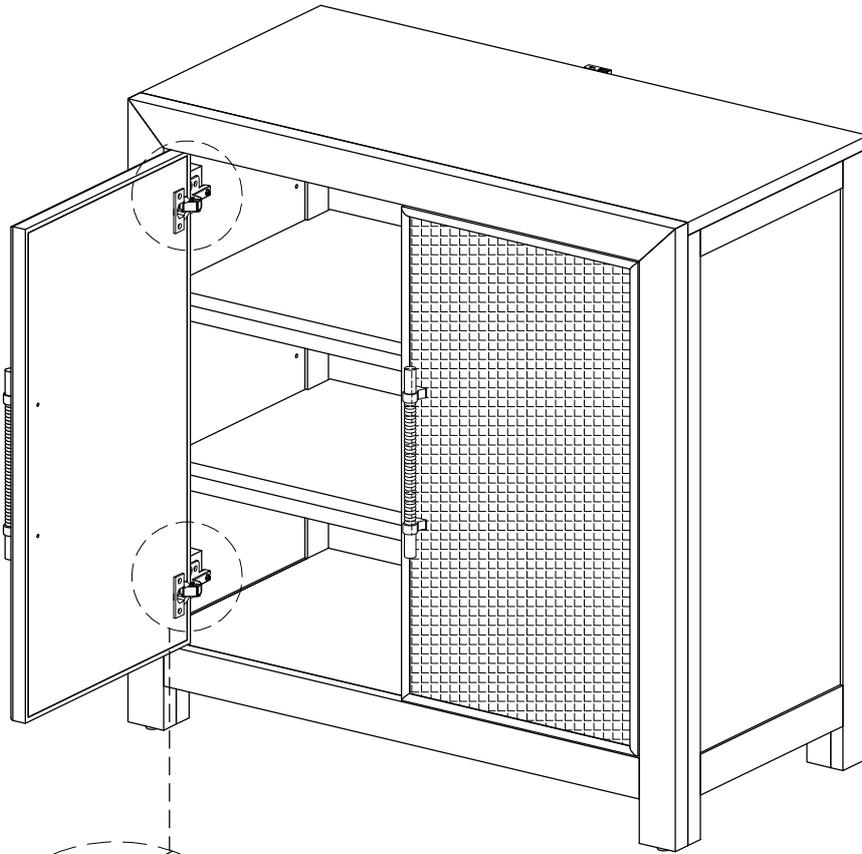
Adjustable Leveler
2 pcs



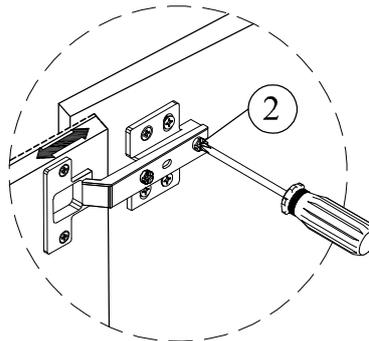
Unscrew to adjust
the shelf height

For product and personal safety, a Furniture Tipping Restraint kit has been included with this unit which can help to minimize the risk of the unit accidentally tipping forward, if used and properly installed per the manufacturer's instructions.

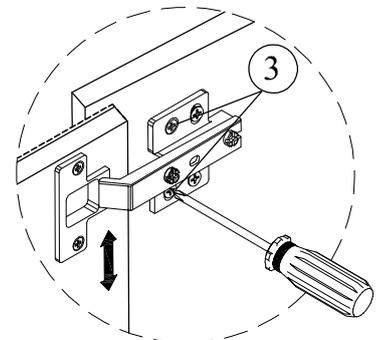
Hinge Adjustment Steps



Door Angle Adjustment
loosen screw 1, adjust gap
with screw 2 and re-tighten
Screw 1.



Horizontal Adjustment
loosen screw 1, push hinge
arm forwards or backwards,
re-tighten screw 1 and secure
Screw 2 with a 1/4 turn
clockwise.



Vertical Adjustment
loosen screw 3, adjust door
height and re-tighten screw 3.

* The doors can be adjusted in all 3 directions to create an even fit between doors on this cabinet. Follow the appropriate directions above to adjust door(s) as necessary.